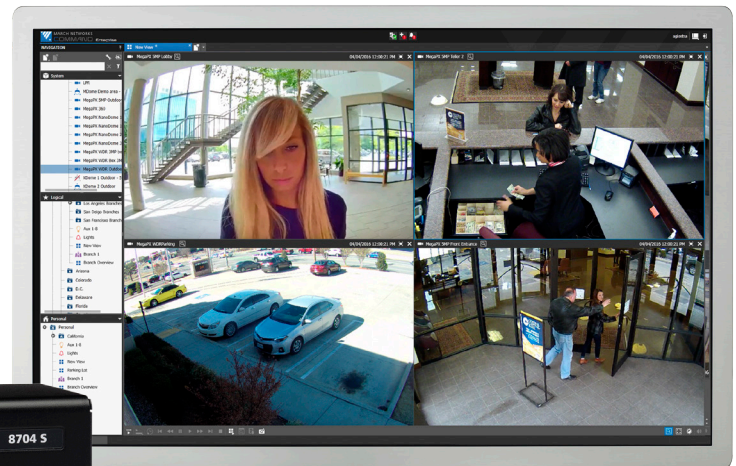


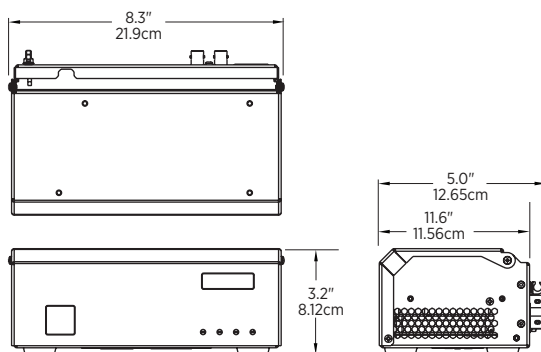
8704 Series Hybrid NVR

4-Channel Recording Platform



The **4-channel Hybrid NVR** from March Networks® delivers video that's always there when you need it, and the advanced tools that allow you to quickly find the evidence you need. Get your job done faster — from installation to investigation — with this appliance-based hybrid NVR as the backbone.

Designed with economy of space in mind, this robust, reliable, and feature-rich recorder is ideal for installation in standalone ATMs or in any space-constrained location. The recorder's hybrid flexibility lets you to continue with your existing analog cameras, or move to HD IP cameras when the time is right.



Key Benefits

- ▼ **Embedded, Linux-based, and purpose-built.** Spend more time performing investigations and less time dealing with maintenance issues that can plague a PC-based recorder.
- ▼ **All camera licenses included.** No need to pay for separate channel licenses; benefit from a full-featured recording platform right out of the box.
- ▼ **Configurable recording policies.** Record video based on user-definable variables like schedule, motion, analytics, etc.
- ▼ **Real-time health monitoring.** Be alerted to camera, recorder and network issues within seconds.
- ▼ **Network policies for bandwidth protection.** Maximize overall system performance with features like bandwidth throttling, maximum retention settings, multi-sector archiving, and selective video recording.
- ▼ **Front panel QR code.** Use March Networks' free GURU Smartphone App to scan the recorder's QR code to check warranty status, get in-field diagnostics support, do on-site wireless provisioning, or even initiate an express RMA.
- ▼ **Powerful video management software.** With March Networks Command™ Recording Software and Command Enterprise Software, you'll be equipped with the features and tools you need to easily manage your video surveillance system.
- ▼ **Get a complete view of your business.** Supplement your surveillance video with March Networks Searchlight™ Software and the Brickstream® Analytics Sensor. This further enhances your evidence by incorporating powerful business analytics (e.g., people counting, queue length, and wait times), and ancillary data (e.g., POS, ATM, teller, RFID, weapon detection, and license plate recognition).

Install the recorder inside an ATM, and seamlessly integrate ATM transaction data with the video.

8704 Series 4-Channel Hybrid NVR

MODEL	
8704 S series ¹	4 channels, 30fps

VIDEO	
Capacity	30fps concurrent at full 4CIF across 4 channels (120fps)
Video Compression	H.264, CIF/2CIF/4CIF resolution
Max Analog/IP Camera Inputs	4/4
IP Camera Performance	With all analog cameras enabled, IP cameras not available. With all analog cameras disabled, IP camera capacity = 80 Mbps

AUDIO	
Analog Audio Inputs	2, unbalanced, 10kΩ, 1Vp-p typical
Analog Audio Outputs	1, unbalanced, 600Ω, 1Vp-p
Analog Audio Codec	G.711, 8 bit/8kHz, 64 kBit/s, unidirectional

NETWORK	
Local Network	10/100/1000Base-T Ethernet (RJ-45)
Camera Network	10/100/1000Base-T Ethernet (RJ-45)
Security	Industry standard TLS 1.2 with strong AES encryption, HTTPS encryption, strong hashing algorithms SHA256, continuous security vulnerability assessment

SYSTEMS / NETWORK MANAGEMENT	
Bandwidth Throttle	Yes (can include exceptions on a per-IP address basis)
Bandwidth Scheduling	Yes
Adaptive Bandwidth	Yes
Remote Connection	TCP/IP (IPv4)
Concurrent Remote Connections	No set limit
Internal Battery	Enables systematic shutdown; no external UPS communication required

ANALYTICS	
Included	Motion Detection
Optional	Camera obstruction, field-of-view monitoring, trip wire, loitering, presence detection

STORAGE	
Internal Hard Drives	one or two 2.5" HDDs; SSD versions also available (contact your March Networks Sales Representative for details)
Individual Drive Capacity	HDD: Up to 5TB
Total Storage Capacity	HDD: Up to 10TB
Drive Type	Serial ATA, HDD, SSD
Mirroring	Yes

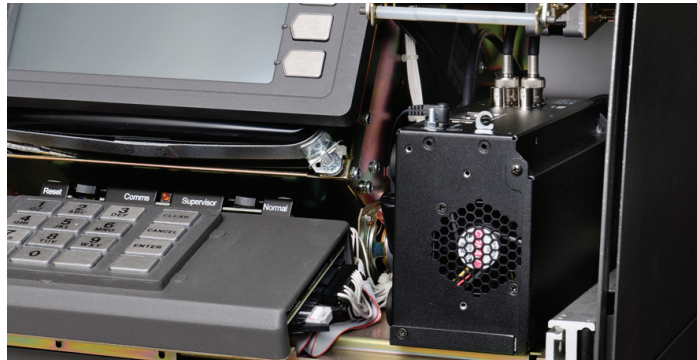
ALARM INPUTS/OUTPUTS	
Alarm Inputs	2 current loop inputs, supporting open and closed detection
Relay Outputs	1 relay switch outputs (30VDC, 1A); programmable event driven

PHYSICAL	
Dimensions (HxWxD)	3.2 x 8.3 x 5.0 in (8.1 x 21.2 x 12.6 cm)
Mounting	Wall mount, desktop
Security	Tamper-proof enclosure
Weight: Recorder	3.2 lbs (1.5 kg)
Hard Drive	0.25 lb (0.11 kg)

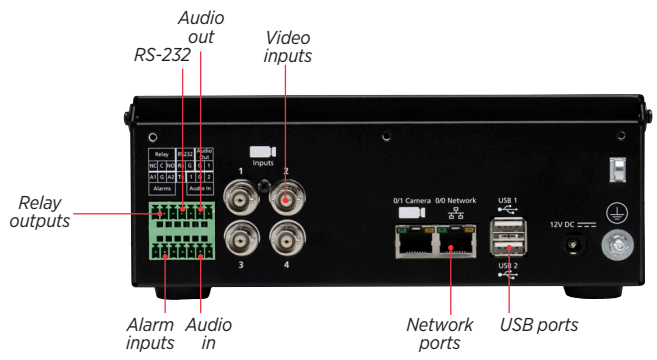
ENVIRONMENTAL	
Operating Temperature	5°C to 40°C (41°F to 105°F)
Heat Dissipation	Maximum 255 BTU per hour (system plus 2 hard drives)
Humidity	5% to 95% RH (non-condensing)
Storage Conditions	-40°C to 70°C (-40°F to 158°F)

ELECTRICAL	
External Power Supply	110/220 VAC (auto-sensing), 1.7A, 50-60Hz
Power Consumption	15W typical, 15W max

REGULATORY	
Safety	IEC60950-1 (ed.2), UL 60950-1 (ed.2), CSA C22.2 No. 60950-1-07 (ed.2)
EMC	FCC 47 CFR Part 15, Subpart 15, ICES-003, EN55022, CISPR 22, AS/NZS CISPR 22, EN61000-3-2, EN 61000-3-3, EN50130-4, EN55024
Compliance Marking	CE-mark, cULus, C-tick, WEEE



This small unit can be easily installed inside an ATM, and seamlessly integrates ATM transaction data with video.



3-year warranty on all recorders:

- Options for Repair & Return or Advance Replacement
- March Networks incurs all shipping costs—both ways—for AR's
- All recorder components are covered, including HDDs

NOTES: ¹ Up to 4 analog, up to 4 IP, or combine for a maximum of 4 channels.

North America 1 800 563 5564
 Latin America +5255 5259 9511
 Europe +39 0362 17935
 Asia +65 6818 0963
 Australia and New Zealand +61 1300 089 419
 Middle East and Africa +971 4 399 5525

© 2019 March Networks. All rights reserved. Information in this document is subject to change without notice. MARCH NETWORKS, March Networks Command, March Networks Searchlight, March Networks RideSafe, and the MARCH NETWORKS logo are trademarks of March Networks Corporation. All other trademarks are the property of their respective owners. 060-3170-00-J
marchnetworks.com

